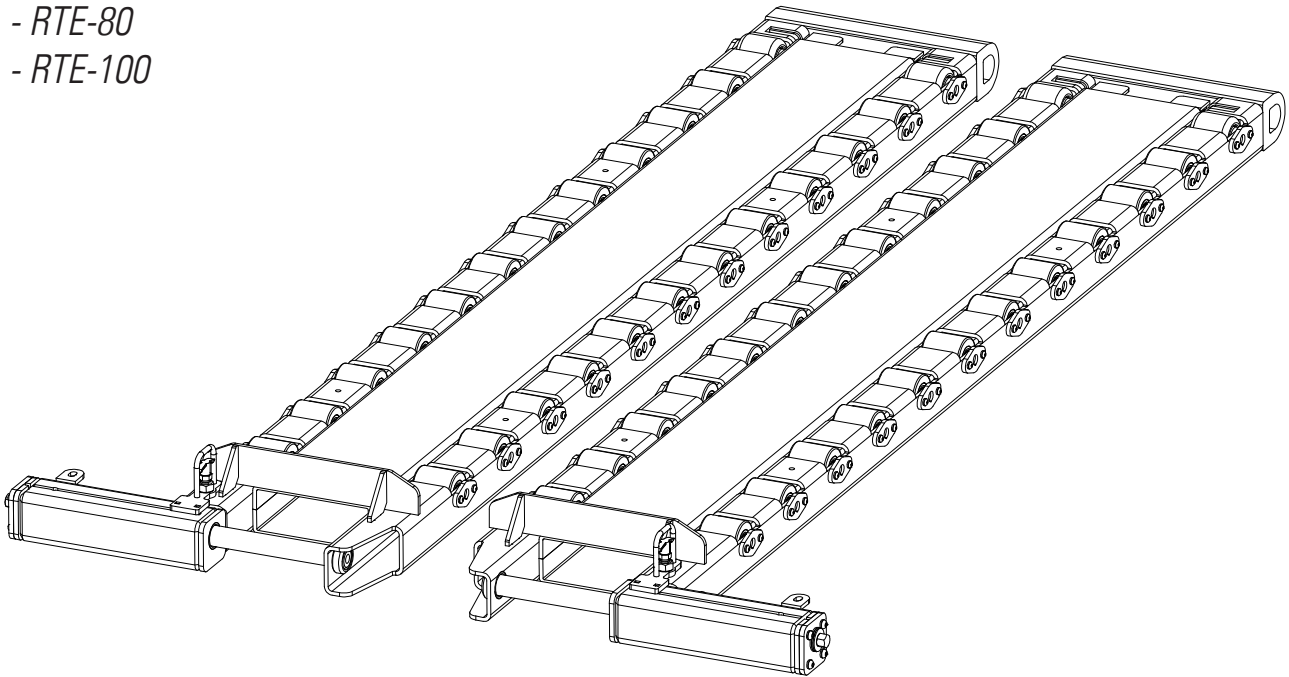


# Appendix - RTE FOD RB

- RTE-50
- RTE-80
- RTE-100



## General description

A Rollerized Tine Extender (RTE) Foreign Object Damage (FOD) can be used in combination with a forklift, for handling air cargo pallets. The FOD locking system does not contain any loose parts, to prevent damage to the aircraft (engine). A rubber bumper can be used to prevent damage to the aircraft while using the RTE.

## Safety



**Warning:**

Do not make use of the RTE FOD when the locking mechanism is not in the secured position.



**Caution:**

Recalculate the residual load capacity of the forklift with the RTE FOD.



**Warning:**

Do not make use of the RTE FOD with loose parts.



**Caution:**

Check the RTE FOD for loose parts, tighten bolts and nuts if necessary.

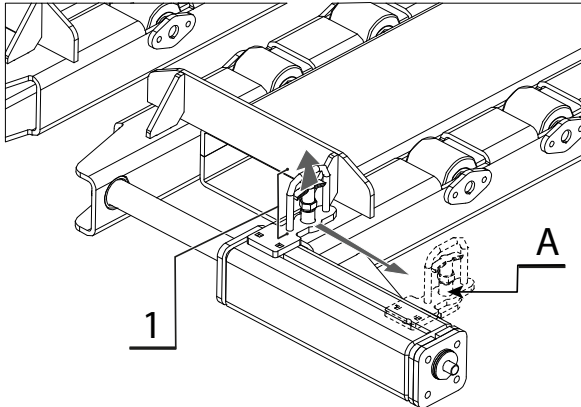


**Warning:**

Do not damage the FOD during the installation

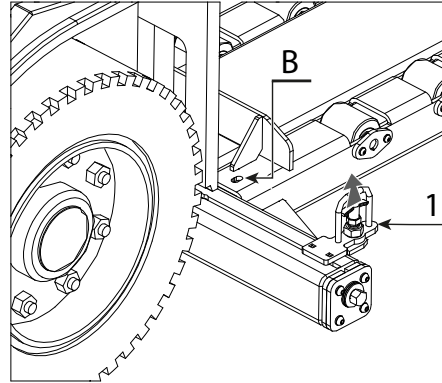
# Installation

1



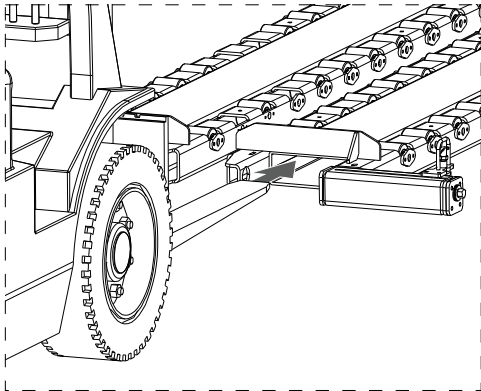
Pull the plunger handle up (1). Hold the handle up and move the slider outwards until the plunger drops into the cavity marked as **A**. Repeat this for both the RTE's.

3



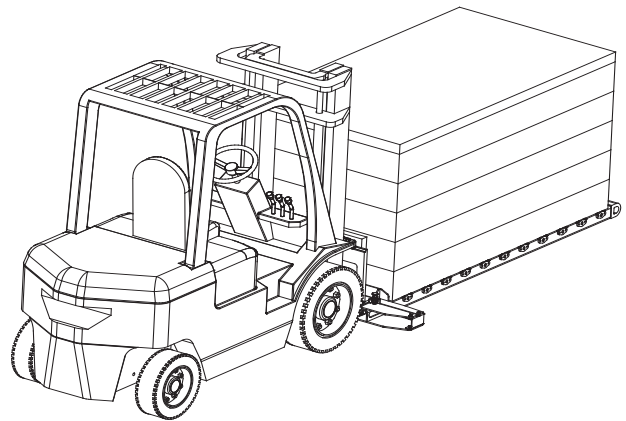
Pull the plunger handle up (1), and move the slider inwards (2) so that the locking pin drops into the cavity marked as **B**. Repeat this for both the RTE's.

2



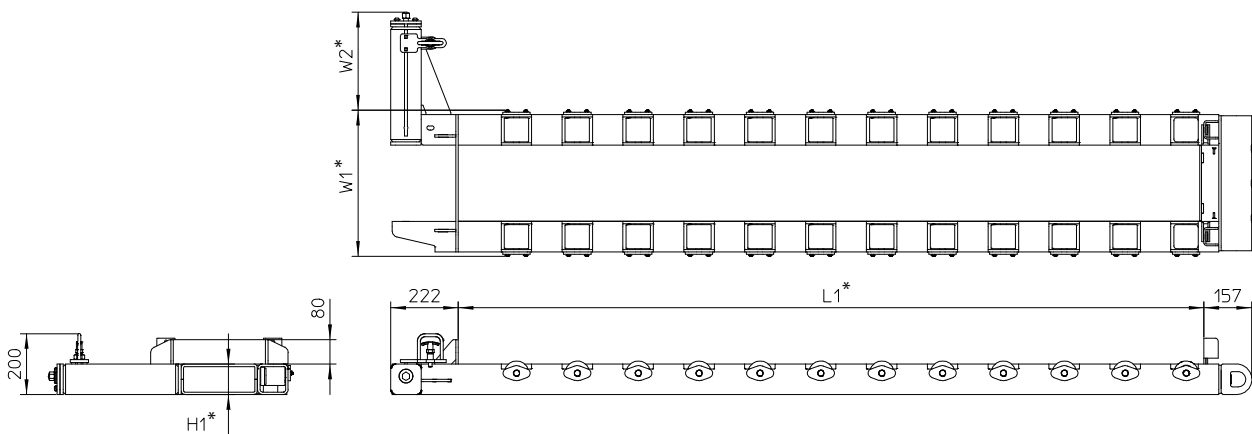
Move the forks of the forklift inside the RTE.

4



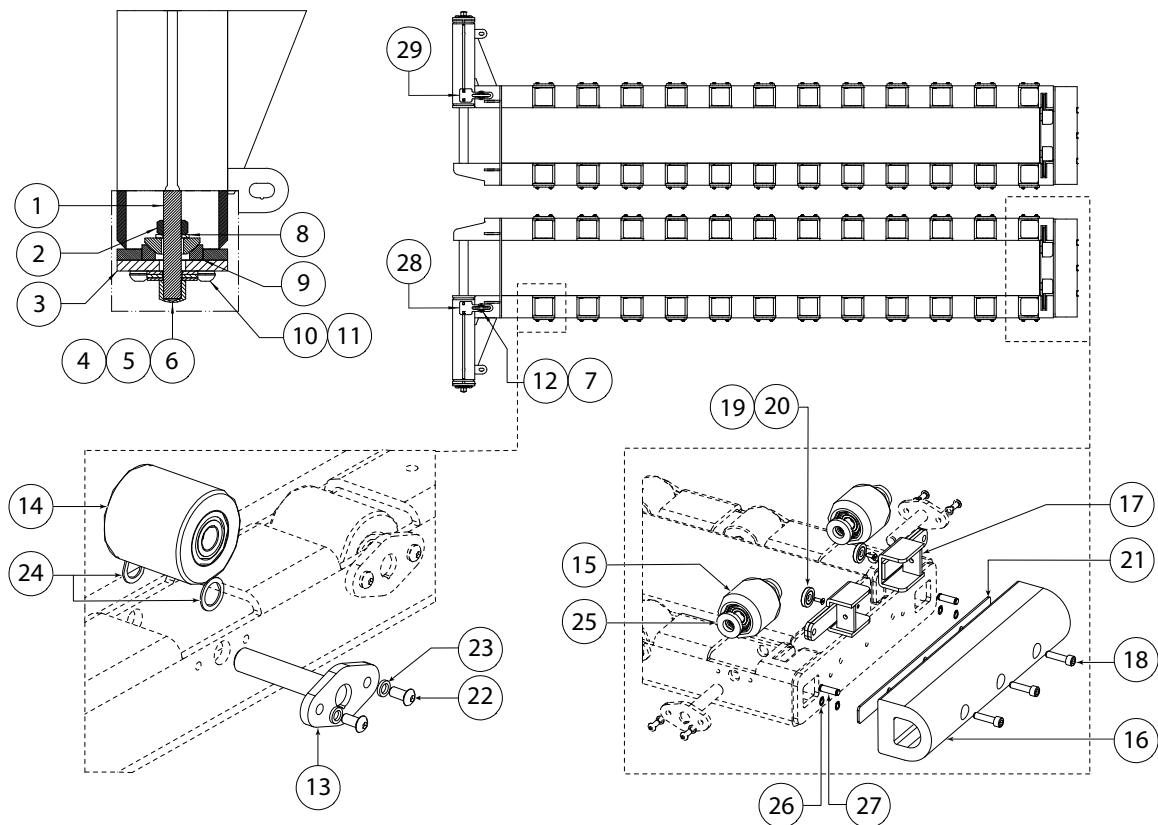
When the sliders are fixed, and the axle is behind the forks, the RTE is ready to use

## Additional dimensions



\* Depending on specific model.

# Spare parts



Pos No	Description	Article N°	Total Qty
1	Spindle	*	1
2	Hexagon nut M16	01300 M16	1
3	Closing plate	10100786	1
4	Flange seal EPDM	10100820	2
5	Repair washer M16x45	M00017806	1
6	Dop nut M16	10100780	1
7	Hexagon nut M20	01300 M20	1
8	Plain washer M16	38130 M16	1
9	Spherical thrust bearing	M00036532	1
10	Hexagon socket button head screw M10x20	07151 M10x20	4
11	Nord-Lock washer M10	37967 M10	4
12	Indexing plunger	10100919	1
13	Complete Pin D20	M00022619	44*
14	Pallet wheel	M00021209	40*
15	Assembly steel wheel	M00010280	4
16	Rubber bumper	M00043707	2
17	Pallet stop RTE	M00008802	4
18	Socket head screw M10x30	07160 M10x30	6
19	Counter sunk socket head screw M5x16	07470 M5x16	4
20	Magnet	M00010900	8
21	D-fender strip	M00043716	2
22	Button head screw M8x18	M00022626	88*
23	Nord-Lock ring M8	37967.080.001	88*

24	Shim washer	M00021384	80*
25	Washer M20	M00013170	8
26	Retaining ring D10	M00008797	8
27	Axle D10	M00008798	4
28	Slider Right	*	1
29	Slider Left	*	1

\* Depending on specific model. Please provide serial number when ordering.